



### 一、General Description 描述

ST310-28/42W street light is a green product of our company, with new type integrated LED light source, high purity aluminum plating reflector, high thermal conductivity aluminum lamp shell and radiating body, High strength toughened glass cover, high efficient constant pressure constant current; Compared with the traditional street light, ST310-28/42W has lots of unique features, such as more efficient, energy-saving, more security and environmental, long lifespan, quicker response and higher CRI. ST310-28/42W could be used in the street, square, city, scenery area and so on. It will be the best to replace traditional high pressure street light, besides, it's also the best choice to light Square, school Personal garden and so on.

ST310-28/42W LED 路灯是应用新型大功率集成 LED 光源、高纯度镀铝反射器、高导热铝灯壳及散热体、高强度钢化玻璃罩、高效率恒流恒压源研发的高光效绿色环保照明产品；与传统路灯对比，本产品具有高效、安全、节能、环保、寿命长、响应速度快、显色指数高等独特优点，可广泛应用于道路、广场、城市、景区等地方的照明，是替代传统高压、高耗能路灯的最佳方案；也是工厂、学校、庭院等室外照明的最佳选择。

### 二、Product Pictures 产品图片



### 三、Features 特点

- 采用自主知识产权的高亮集成大功率 LED 光源，比传统同等亮度路灯节能 65% 以上。

Using the independent intellectual property rights encapsulates the high power LED, which can save electricity more than 65% than the traditional street light.

- 首创散热器与灯壳一体化设计，LED 直接与外壳紧密相接的理想散热效果，充分保证了 LED 寿命。

The first radiator and lamp case integration design, LED directly to the shell and is tightly connected with the ideal cooling effect, and fully guarantee the LED life.

- 铝合金压铸成型，可以有效的散热\防水，防水等级通过 IP65 标准。

Shell encapsulated with aluminum alloy, which can effective cooling, prevent water, and meet IP65.

Add: No.37 Chuangxin Road, The Third Industrial Area Tangxia Chong, Shonggang, baoan District, Shenzhen, China  
TEL:+86(186)88384867 Fax:+86(0755) 29021186 Web:www.led321.com

- 无不良眩光、频闪、启动无延时、消除了传统路灯的弊端。  
No bad glare, stroboscope or startup delay, eliminating the disadvantage of the traditional street light.
- 绿色环保无污染：不含铅、汞等污染元素，对环境没有任何污染。  
Environmental-friendly without contamination, with no Lead, Hg or any other pollution elements included, No pollution to the environment
- 选用宽电压（AC100-240V）、高效率、恒流恒压绿色开关电源（也可选用 DC/DC 开关电源）。  
Wide Voltage(AC100-240V), High efficiency, constant current and constant voltage green switch power(or DC/DC switch power supply)
- 本产品也可与太阳能、风能完美结合，充分发挥 LED 节能环保的高性价比优点。  
Could have a perfect combination with solar and wind energy, and could fully develop its advantages like environment-friendly and energy-saving.

### 四、 Applications 产品应用

- 高速公路、公共道路、城市街道、人行道；  
Expressway/ public road/ City street/ Pavement
- 各种大小广场、学校、公园、工厂、居住区、庭院；  
Various of Square/ School/Park/Factory/ residential district/Garden
- 其它室外需要照明场所  
Other places need outdoor light

### 五、 Technical Parameters 技术参数

#### ➤ Power parameters 电源参数

Power 功率	28W	42W
Input Voltage/Frequency 输入电压/频率	85-265VAC/50-60Hz	
Input Current(Typ) 输入电流(典型值)	<0.25A/115VAC < 0.12A/230VAC	<0.38A/115VAC < 0.19A/230VAC
Output Voltage 输出电压	28-36V Typ=30V	
Output Current 输出电流	0.93A	1.4A
Efficiency(Typ) 效率(典型值)	>0.93	
Power Factor(Typ) 功率因数(典型值)	PF>0.98/115VAC	PF>0.95/230VAC

# Product Specification

产品规格书 Ver:2013-A0

ST310-28/42W

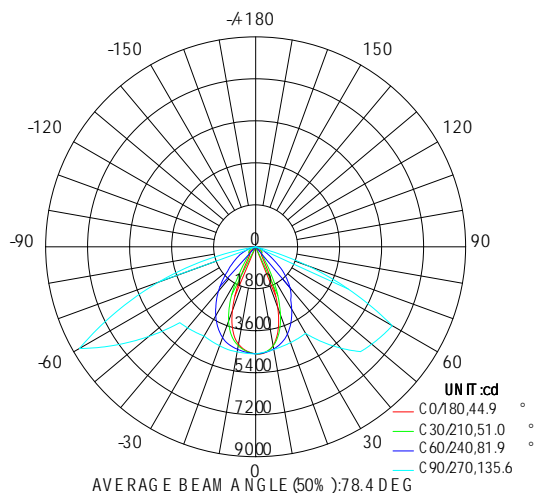
## ➤ Lighting parameters 灯具参数

LED Chips Quantity LED 模组数量	2 Pcs	2 Pcs
LED Consumption LED 功耗	28W	42W
System Consumption 系统功耗	32W	49W
LED Luminous Efficiency LED 发光效率	90-110Lm /W	
Lamp' s Initial Flux 灯具初始光通量	≥2548lm	≥3822Lm
Color Temperature 色温	2700K~6500K Typ=5500K	
Lamp' s Luminous Efficiency 灯具光效	≥91Lm /W	
Lumen Maintenance 流明维持率	70%(50000Hrs)	
Color Rendering Index 显色指数	Ra≥80	
Light Distribution 配光曲线	Please refer to the attachment test report 请参考附件测试报告	Daniel I 见下图
Operating Temperature 工作温度	-20℃ ~ +55℃	
Storage Temperature 储存环境温度	-40℃ ~ +85℃	
IP Grade 防护等级	IP65	
Li fe-span 光源寿命	50000Hrs	
Materials 材质	Aluminum 铝材	
The color of the lamp shell 灯具颜色	silver 银灰色	
Mounting 安装方式	Pole installation 灯杆安装	

Note: Light optic with a little deviation for different color temperature LED , deviation value≤5%

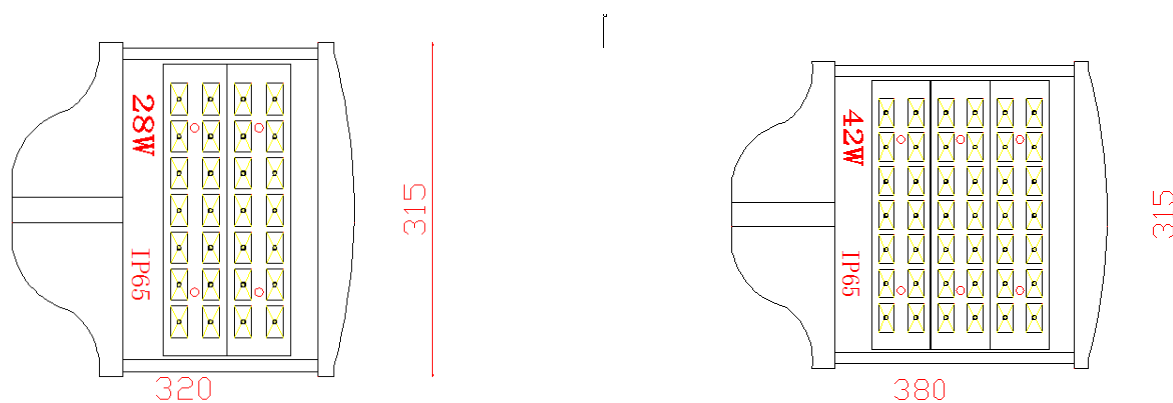
注: 不同色温的 LED 光性能有所偏差, 偏差值≤5%

## ● Light distribution curve 配光曲线



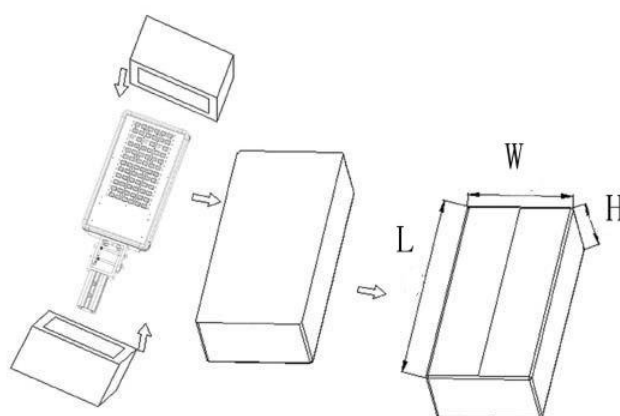
Add: No.37 Chuangxin Road, The Third Industrial Area Tangxia Chong, Shonggang, baoan District, Shenzhen, China  
TEL:+86(186)88384867Fax:+86(0755) 29021186Web:www.led321.com

## 六、Dimension 尺寸



## 七、Packing /weight 包装/重量

category 类别	28W	42W
di mensi on 灯具尺寸	320*315*80mm	380*315*80mm
The size of the carton box 外箱尺寸(L×W×H)	370*340*100mm	430*340*100mm
Qty/carton box 数量/箱	1PCS	1PCS
The net weight of radiator 灯具净重	4.2Kg	5.3kg
The weight of the carton box after packing 外箱包装后重量	4.9kg	5.8kg



安装示意图

## 八、Installation Introduction 安装示意图

Add: NO.5/ Chuangxin Road, The Third Industrial Area Tangxia Chong, Shonggang, Baoan District, Shenzhen, China  
TEL:+86(186)88384867Fax:+86(0755) 29021186Web:www.led321.com

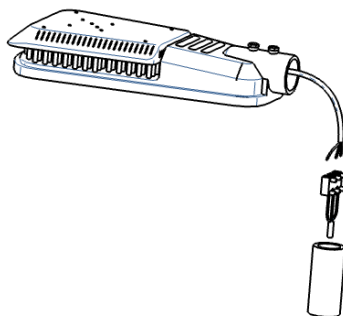
# Product Specification

产品规格书 Ver:2013-A0

ST310-28/42W

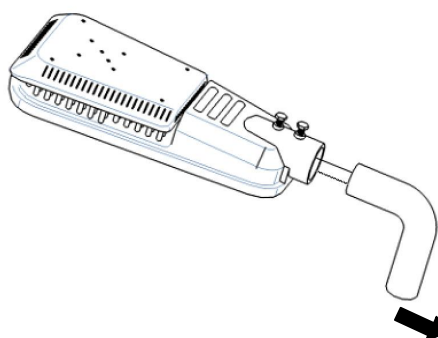
1. First Please link the terminal plugs of street light and the pole on the terminal block: Brown wire (L) to the Brown(L), Blue wire to the Blue, and Yellow green wire(G) to the Yellow green one(G); then close the PC cover after linking the plug steady, Following do well work of Waterproofing and insulation measures, last put the terminal block wiring into the pole.

取出路灯的接线头和电线杆子里面的接线头，在端子台处将其接上，棕线(L)接棕线(L)，蓝线(N)接蓝线(N)，绿黄线(G)接绿黄线(G)；接驳牢固后，合上PC盖子，做好防水以及绝缘措施后将接线端子台连线塞入灯杆内。



2. Please loosen the screw to fix the pole on the fixture and then insert the fixture into the pole.

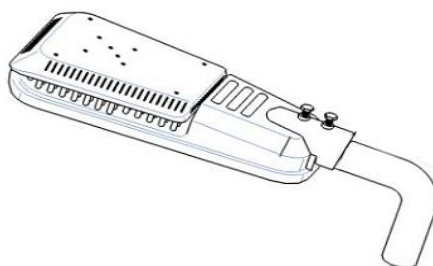
用扳手松开路灯上的灯杆固定螺丝，将路灯插到电线杆子上；



插入

3. Fasten the fixing screw ( street light installation need to fix the torque on the screw: 29Nm), then fix the light on the pole.

锁紧固定螺丝（路灯安装施加紧固螺栓上的扭矩：29 Nm），将路灯固定在电线杆子上。



## 九、Instruction for maintaining and repairing 维护维修说明

1、维护维修前请确定已经断电。

The power must be cut off before maintaining.

2、定期对路灯的玻璃进行清洁，以保持灯具良好的透光性。

Add: No.37 Chuangxin Road, The Third Industrial Area Tangxia Chong, Shonggang, baoan District, Shenzhen, China  
TEL:+86(186)88384867Fax:+86(0755) 29021186Web:www.led321.com

# Product Specification

产品规格书 Ver:2013-A0

ST310-28/42W

Cleaning the glass of the product in regular time to ensure the good efficiency.

- 3、定期对路灯的外壳及散热器的灰尘进行清洁，以保持良好的散热性能。

Cleaning the housing and radiator in regular time to ensure the good performance of heat sinking.

- 4、注意不要用水或者腐蚀性强的溶液进行清洁，最好用干抹布。

Forbid to use water or other corrosive liquid to clean,must use dry cloth.

- 5、更换电源时，可直接用螺丝刀打开后盖后，取出电源，AC 电源三芯线接线按照棕色对应电源上的“L”，蓝色对应电源上的“N”，黄绿色或者黄色对应“ $\perp$ ”，DC 电源线的红线或者白线对应电源的正极，黑线对应电源的负极，注意正负极不要接反。

Can use the screwdriver open the cover and take out of the driver to change a new.And connection of the wires of AC driver please follow below:Brown to connect "L",Blue to connect "N",Yellow to connect " $\perp$ ",And the red or white wires of DC connect the positive pole of driver,and the black wire connect the negative pole of driver.and don't mix the positive pole and negative pole.

## 十、 Note 注意事项

- Should the professional install this product in case of the danger.

请找专业人士安装维护本产品，以免发生危险；

- Please cut off the Power first once find the light abnormal work

如果发现灯具工作异常，必须首先切断输入电源；

- Please do some lighting protection to the power supply input port, and protect the steady of the voltage.

请在电源输入端做好相应的防雷措施，并保证输入电压的稳定；

- Please check and maintain the fixture during using period.

请在灯具使用中，定期做相关安全检查和清洁保养；

- Please don't disassemble the fixture in case of electric shock by yourself, for there is high pressure inside

灯具内存在有高压部分，请勿自行拆卸，以免触电；

## 十一、 Warranty 产品质保

本公司生产的所用产品均采用恒流电源保用五年或三年（根据客户选择），LED 光源保用三年。

We have 5 years and 3 years warranty for the MeanWell driver,and for the whole product,we have 3 years warranty.

**注：**产品质量保证是基于产品的正确保存，安装，使用和维护，由于安装使用不当，违反产品操作规程，而引起的产品损坏，不属于本保证范围之内，对质量保修期内的质量问题，本公司将选择修复，调换（零部件）或更换产品等方法给予解决，超期将适当收取材料费，人工费。

**Remark:**The warranty on the base of right storing way,right installing way,right using way,right maintaining way.Any broken out of our rule,out of our warranty.During the warranty time,we can choose repairing,replacing parts or replacing the whole products according the detail information.And we'll

Add: No.37 Chuangxin Road, The Third Industrial Area Tangxia Chong, Shonggang, baoan District, Shenzhen, China  
TEL:+86(186)88384867Fax:+86(0755) 29021186Web:www.led321.com

# Product Specification

产品规格书 Ver:2013-A0

ST310-28/42W

charge the customers some material fee and labor cost if the product out of our warranty time.

▲ 请您在使用本产品之前仔细阅读本说明书； 本公司保留对本说明书和产品最终解释权，产品在不断更新中，如有变更恕不另行通知。

▲ Please read the instruction carefully before you use the product.We keep the right of final explanation for the instruction and the product.The product will keep updating continues.And sorry for the no notice for the updating.